

Introduction

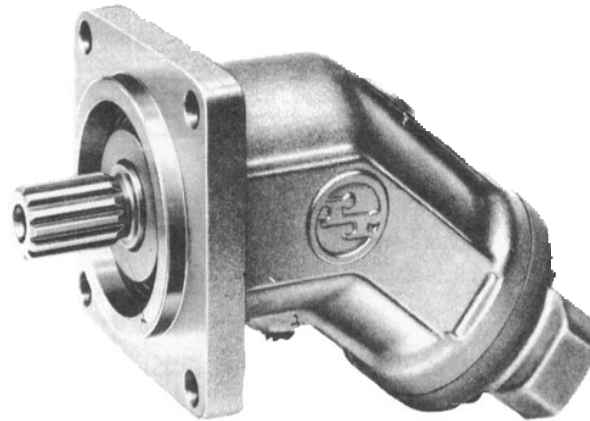
This parts list identifies all assemblies and individual parts contained in 59 of the most common AA2FM Series 61 motors (see page 2). Views are cross-sectional.

How to Find a Spare Part In This Brochure

First find the item by position number, in the section in which the part is contained, then simply locate the "X" in the appropriate model column and read the part number under the heading "Hydromatik Part Number" (see example on right).

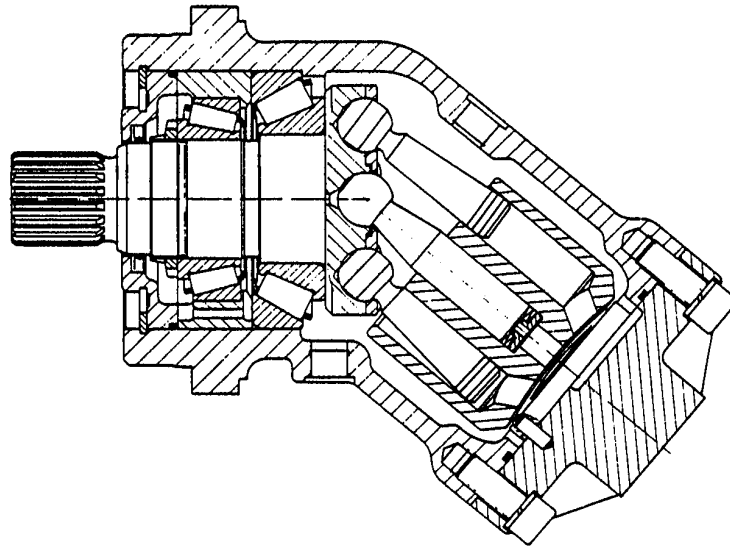
How to Order Parts from this Brochure

Assuming we want the O-Ring under the front cover in the Rotary Group (page 18) for AA2FM.16/61W-VSC53, Type 211.11.05.44, we go to the third "model" column from the left, locate "X" next to Position 8 (O-Ring), we see that the part number is Hydromatik number 086630.



**Fixed Displacement Motor
Series 61**

Pos.	Description	Qty.	Hydromatik Part No.	"Model" Columns													
				AA2FM. 10/61W - PPC53	AA2FM. 12/61W - PPC53	AA2FM. 16/61W - VSC53	AA2FM. 16/61W - PSC53	AA2FM. 16/61W - PBC53	AA2FM. 23/61W - PSCX	AA2FM. 32/61W - PSDX	AA2FM. 32/61W - VSD52	AA2FM. 32/61W - PSD51	AA2FM. 32/61W - PSD52	AA2FM. 32/61W - PSD53	AA2FM. 32/61W - PSD54	AA2FM. 32/61W - PBD52	AA2FM. 32/61W - PBD53
(8)	O-Ring	1	086630	X	X	X	X										
			083785				X										
			086626					X	X		X	X	X	X			
			085567							X					X	X	
			083824														
			086638														
			086949														
			154986														
			083827														
			086008														
			152647														
			086636														
			085366														
			086635														
(9)	Shim	2	156378	X	X	X	X	X									
			084587						X	X	X	X	X	X	X	X	X

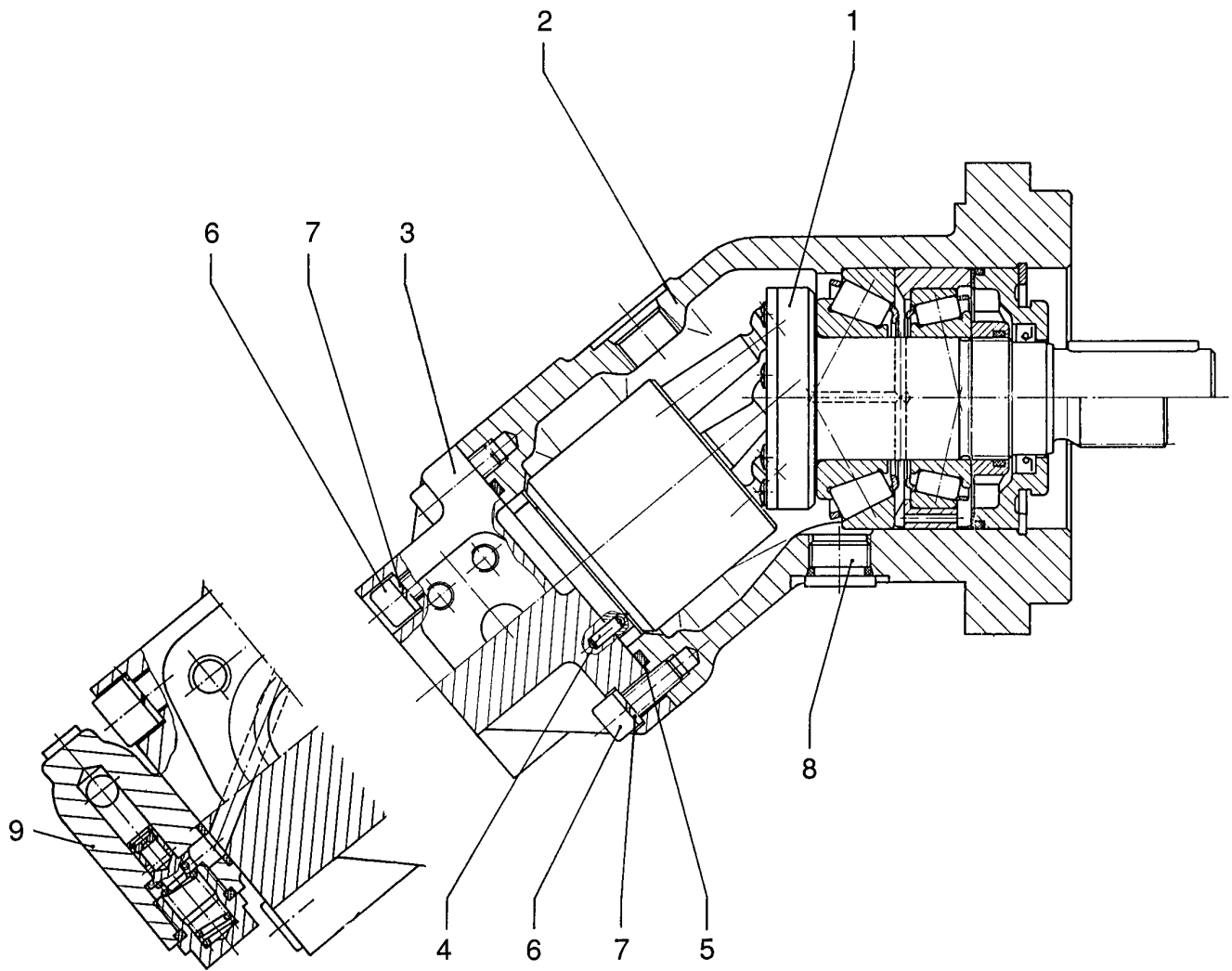


**Fixed Displacement
Motor
Series 61**

I.D. #	Type Code	AA2FM. 10/61W - PPC53	AA2FM. 12/61W - PPC53	AA2FM. 16/61W - VSC53	AA2FM. 16/61W - PSC53	AA2FM. 16/61W - PBC53	AA2FM. 23/61W - PSCX	AA2FM. 32/61W - PSDX	AA2FM. 32/61W - VSD52	AA2FM. 32/61W - PSD51	AA2FM. 32/61W - PSD52	AA2FM. 32/61W - PSD53	AA2FM. 32/61W - PSD54	AA2FM. 32/61W - PBD52	AA2FM. 32/61W - PBD53	AA2FM. 45/61W - PXD52	AA2FM. 45/61W - XSD51	AA2FM. 45/61W - PSD51	AA2FM. 45/61W - PSD52	AA2FM. 45/61W - PBD52	AA2FM. 45/61W - PSD52	AA2FM. 56/61W - PSD52	AA2FM. 56/61W - PSDX	AA2FM. 56/61W - PSD51	AA2FM. 56/61W - PSD52	AA2FM. 56/61W - PBD52	AA2FM. 63/61W - PXDX	AA2FM. 63/61W - PSDX	AA2FM. 63/61W - PSD51	AA2FM. 63/61W - PSD52	AA2FM. 63/61W - PBD51	AA2FM. 63/61W - PBD52					
423834	- 211.09.26.54	X																																			
423211	- 211.10.26.54		X																																		
423510	- 211.11.05.44			X																																	
421614	- 211.11.26.44				X																																
421613	- 211.11.26.54					X																															
422041	- 211.12.01.05						X																														
424857	- 211.14.01.12							X																													
421508	- 211.14.01.15								X																												
408997	- 211.14.26.41									X																											
408999	- 211.14.26.42										X																										
412677	- 211.14.26.44											X																									
412840	- 211.14.26.45												X																								
418834	- 211.14.26.52													X																							
419652	- 211.14.26.54														X																						
418289	- 211.16.01.04															X																					
416690	- 211.16.02.00																X																				
417125	- 211.16.26.41																	X																			
417126	- 211.16.26.42																		X																		
418837	- 211.16.26.52																			X																	
416862	- 211.17.01.01																					X															
419947	- 211.17.01.04																						X														
426182	- 211.17.26.41																							X													
434271	- 211.17.26.42																								X												
429602	- 211.17.26.52																									X											
419856	- 211.18.01.24																										X										
422024	- 211.18.01.25																											X									
409746	- 211.18.26.41																																				
408971	- 211.18.26.42																																		X		
428729	- 211.18.26.51																																			X	
417127	- 211.18.26.52																																			X	

I.D. #	Type Code	AA2FM. 80/61W - XXD51	AA2FM. 80/61W - XXD52	AA2FM. 80/61W - XSD51	AA2FM. 80/61W - PSD51	AA2FM. 80/61W - PSD52	AA2FM. 80/61W - PBD52	AA2FM. 90/61W - XXD51	AA2FM. 90/61W - XSD51	AA2FM. 90/61W - PSD51	AA2FM. 90/61W - PSD52	AA2FM. 90/61W - PBD51	AA2FM. 90/61W - PBD52	AA2FM. 107/61W - PSD51	AA2FM. 107/61W - PSD52	AA2FM. 107/61W - PSD527	AA2FM. 107/61W - PBD52	AA2FM. 125/61W - PSD51	AA2FM. 125/61W - PSD52	AA2FM. 125/61W - VSD52	AA2FM. 125/61W - PBD51	AA2FM. 125/61W - PBD52	AA2FM. 160/61W - PSD51	AA2FM. 160/61W - PSD52	AA2FM. 160/61W - PBD51	AA2FM. 160/61W - PBD52	AA2FM. 180/61W - PSD52	AA2FM. 180/61W - PSD51	AA2FM. 180/61W - PSD52	AA2FM. 180/61W - PBD52	
416365	- 211.19.02.00	X																													
415237	- 211.19.02.01		X																												
416704	- 211.19.02.02			X																											
416864	- 211.19.26.41				X																										
420708	- 211.19.26.42					X																									
423205	- 211.19.26.52						X																								
421630	- 211.20.02.02							X																							
417098	- 211.20.02.21								X																						
409703	- 211.20.26.41									X																					
409708	- 211.20.26.42										X																				
418342	- 211.20.26.51											X																			
418840	- 211.20.26.52												X																		
416550	- 211.21.26.41													X																	
428767	- 211.21.26.42														X																
415814	- 211.21.26.47															X															
429878	- 211.21.26.52																X														
409680	- 211.22.26.41																	X													
409681	- 211.22.26.42																		X												
415808	- 211.22.01.08																			X											
433246	- 211.22.26.51																				X										
420709	- 211.22.26.52																					X									
427831	- 211.24.26.41																						X								
417850	- 211.24.26.42																							X							
429038	- 211.24.26.51																								X						
429551	- 211.24.26.52																									X					
420423	- 211.25.02.01																										X				
409203	- 211.25.26.41																											X			
409205	- 211.25.26.42																												X		
418843	- 211.25.26.52																													X	

Notes:

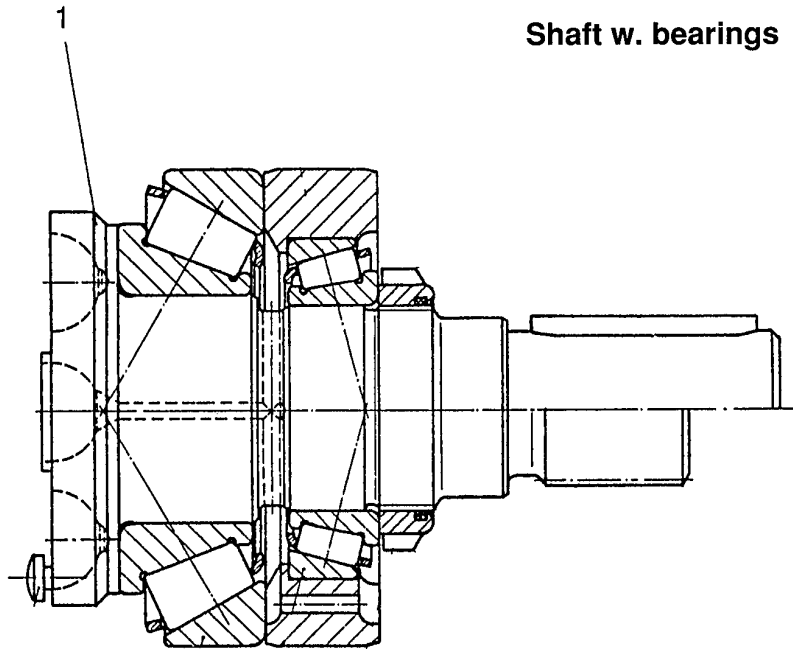


Hydromatik
Pos. Descript. Qty. Part No. Type Code

				AA2FM. 80/61W - XXD51	AA2FM. 80/61W - XXD52	AA2FM. 80/61W - XSD51	AA2FM. 80/61W - PSD51	AA2FM. 80/61W - PSD52	AA2FM. 80/61W - PBD52	AA2FM. 90/61W - XXD51	AA2FM. 90/61W - XSD51	AA2FM. 90/61W - PSD51	AA2FM. 90/61W - PSD52	AA2FM. 90/61W - PBD51	AA2FM. 90/61W - PBD52	AA2FM. 107/61W - PSD51	AA2FM. 107/61W - PSD52	AA2FM. 107/61W - PSD527	AA2FM. 107/61W - PBD52	AA2FM. 125/61W - PSD51	AA2FM. 125/61W - PSD52	AA2FM. 125/61W - VSD52	AA2FM. 125/61W - PBD51	AA2FM. 125/61W - PBD52	AA2FM. 160/61W - PSD51	AA2FM. 160/61W - PSD52	AA2FM. 160/61W - PBD51	AA2FM. 160/61W - PBD52	AA2FM. 180/61W - PSD52	AA2FM. 180/61W - PSD51	AA2FM. 180/61W - PSD52	AA2FM. 180/61W - PBD52			
(1) Rotary	1	421929	- 201.09.07.01																																
Group		413002	- 201.10.07.01																																
		423511	- 201.11.07.21																																
		421615	- 201.11.07.20																																
		414652	- 201.11.07.01																																
		422040	- 201.12.07.20																																
		408995	- 201.14.07.20																																
		421509	- 201.14.06.02																																
		415472	- 201.14.07.01																																
		418288	- 201.16.06.01																																
		416630	- 201.16.07.40																																
		417124	- 201.16.07.20																																
		418341	- 201.16.07.01																																
		416861	- 201.17.06.01																																
		426183	- 201.17.07.20																																
		429635	- 201.17.07.51																																
		411708	- 201.18.06.01																																
		408973	- 201.18.07.20																																
		415791	- 201.18.07.01																																
		415234	- 201.19.07.40	X	X																														
		416703	- 201.19.06.03			X																													
		416863	- 201.19.07.20				X	X																											
		427220	- 201.19.07.51						X																										
		421631	- 201.20.06.03							X																									
		417097	- 201.20.07.40								X																								
		409706	- 201.20.07.20								X	X																							
		417121	- 201.20.07.01									X	X																						
		415813	- 201.21.07.20											X	X	X																			
		428611	- 201.21.07.51														X																		
		409230	- 201.22.07.20														X	X																	
		415807	- 201.22.07.21															X																	
		417742	- 201.22.07.01																	X	X														
		420897	- 201.24.07.20																			X	X												
		429039	- 201.24.07.51																						X	X									
		420421	- 201.25.07.40																										X						
		409202	- 201.25.07.20																												X	X			
		424303	- 201.25.07.01																																X

Pos.	Description	Qty.	Hydromatik Part No.	AA2FM. 10/61W - PPC53	AA2FM. 12/61W - PPC53	AA2FM. 16/61W - VSC53	AA2FM. 16/61W - PSC53	AA2FM. 16/61W - PBC53	AA2FM. 23/61W - PSCX	AA2FM. 32/61W - PSDX	AA2FM. 32/61W - VSD52	AA2FM. 32/61W - PSD51	AA2FM. 32/61W - PSD52	AA2FM. 32/61W - PSD53	AA2FM. 32/61W - PSD54	AA2FM. 32/61W - PBD52	AA2FM. 32/61W - PBD53	AA2FM. 45/61W - PXD52	AA2FM. 45/61W - XSD51	AA2FM. 45/61W - PSD51	AA2FM. 45/61W - PSD52	AA2FM. 45/61W - PBD52	AA2FM. 56/61W - PSD52	AA2FM. 56/61W - PSDX	AA2FM. 56/61W - PSD51	AA2FM. 56/61W - PSD52	AA2FM. 56/61W - PBD52	AA2FM. 63/61W - PXDX	AA2FM. 63/61W - PSDX	AA2FM. 63/61W - PSD51	AA2FM. 63/61W - PSD52	AA2FM. 63/61W - PBD51	AA2FM. 63/61W - PBD52						
(5)	O-Ring	1	083777	X	X		X	X																															
			085620			X																																	
			086572						X	X		X	X	X	X	X	X																						
			152496								X																												
			083819																X	X	X	X	X																
			086324																					X	X	X	X	X	X	X	X	X	X	X	X	X	X		
			083824																																				
			086949																																				
			154986																																				
			083828																																				
(6)	Socket Head Screw	2 or 6	083019	X	X	X	X	X																															
			083036						X	X	X	X	X	X	X	X	X																						
			083060																X	X	X	X	X	X	X	X	X	X	X	X	X	X	X	X	X	X	X		
			083087																																				
			083129																																				
(7)	Lock Washer	6	083249	X	X	X	X	X																															
			083250						X	X	X	X	X	X	X	X	X																						
			083251																X	X	X	X	X	X	X	X	X	X	X	X	X	X	X	X	X	X	X	X	
			083252																																				
			083254																																				
(8)	Threaded Plug	1	153371	X	X		X	X																															
			157039			X																																	
			153338						X	X		X	X	X	X	X	X	X			X	X	X	X	X	X	X	X	X	X	X	X	X	X	X	X	X		
			157618							X																													
			153339																																				
			157038																																				
(9)	Flushing & Boost Valve Block	1	419424 - 503.12.01.01					X	X																										X	X			

Pos.	Description	Qty.	Hydromatik Part No.	AA2FM. 80/61W - XXD51	AA2FM. 80/61W - XXD52	AA2FM. 80/61W - XSD51	AA2FM. 80/61W - PSD51	AA2FM. 80/61W - PSD52	AA2FM. 80/61W - PBD52	AA2FM. 90/61W - XXD51	AA2FM. 90/61W - XSD51	AA2FM. 90/61W - PSD51	AA2FM. 90/61W - PSD52	AA2FM. 90/61W - PBD51	AA2FM. 90/61W - PBD52	AA2FM. 107/61W - PSD51	AA2FM. 107/61W - PSD52	AA2FM. 107/61W - PSD527	AA2FM. 107/61W - PBD52	AA2FM. 125/61W - PSD51	AA2FM. 125/61W - PSD52	AA2FM. 125/61W - VSD52	AA2FM. 125/61W - PBD51	AA2FM. 125/61W - PBD52	AA2FM. 160/61W - PSD51	AA2FM. 160/61W - PSD52	AA2FM. 160/61W - PBD51	AA2FM. 160/61W - PBD52	AA2FM. 180/61W - PSD52	AA2FM. 180/61W - PSD51	AA2FM. 180/61W - PSD52	AA2FM. 180/61W - PBD52						
(5)	O-Ring	1	083777																																			
			085620																																			
			086572																																			
			152496																																			
			083819																																			
			086324																																			
			083824	X	X	X	X	X	X	X	X	X	X	X	X																							
			086949													X	X	X	X	X	X	X		X	X													
			154986																				X															
			083828																							X	X	X	X	X	X	X	X	X	X	X	X	
(6)	Socket Head Screw	2 or 6	083019																																			
			083036																																			
			083060																																			
			083087	X	X	X	X	X	X	X	X	X	X	X	X	X	X	X	X	X	X	X	X	X	X	X	X	X	X	X	X	X	X	X	X	X	X	
			083129																								X	X	X	X	X	X	X	X	X	X	X	X
(7)	Lock Washer	6	083249																																			
			083250																																			
			083251																																			
			083252	X	X	X	X	X	X	X	X	X	X	X	X	X	X	X	X	X	X	X	X	X	X	X	X	X	X	X	X	X	X	X	X	X	X	
			083254																								X	X	X	X	X	X	X	X	X	X	X	X
(8)	Threaded Plug	1	153371																																			
			157039																																			
			153338																																			
			157618																																			
			153339				X	X	X			X	X	X	X	X	X	X	X	X	X	X	X	X	X	X	X	X	X	X	X	X	X	X	X	X	X	
			157038																			X																
(9)	Flushing & Boost Valve Block	1	419424 - 503.12.01.01																																			

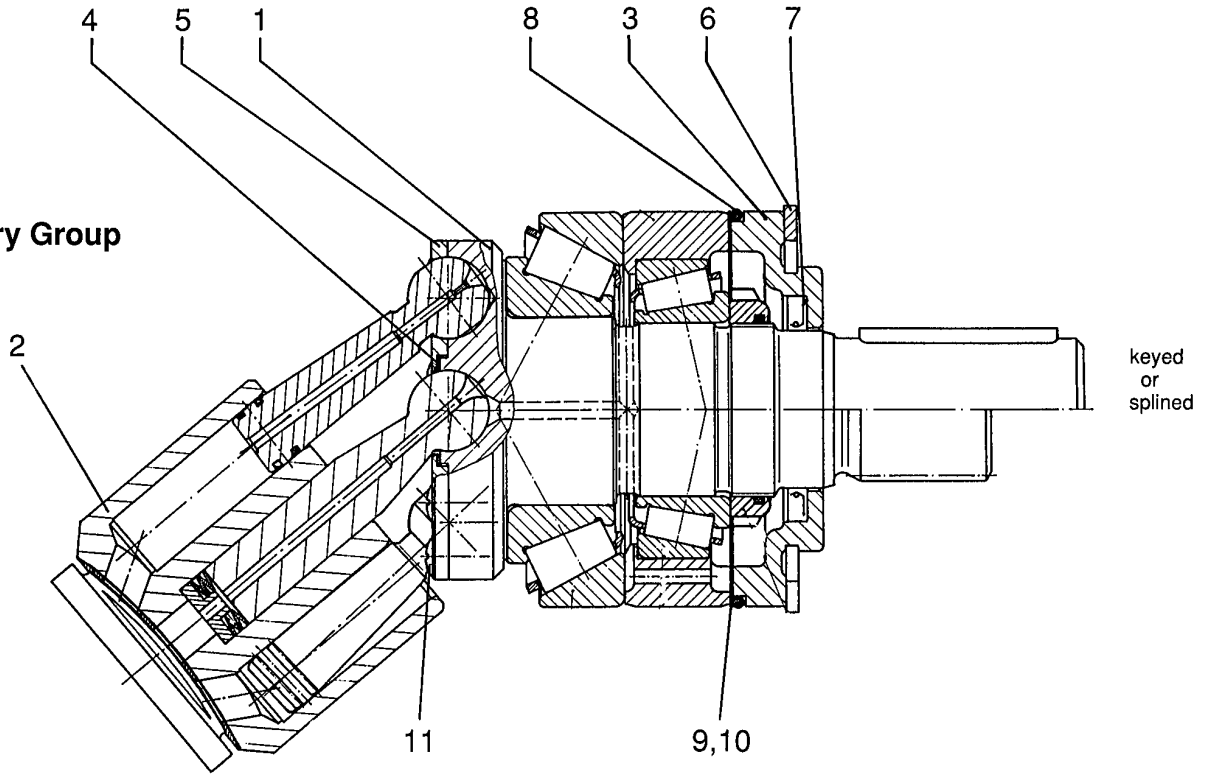


keyed
or
splined

**Fixed Displacement Motor
Series 61
Rotary Group
Parts Breakdown**

Pos.	Description	Qty.	Hydromatik Part No.	AA2FM. 10/61W - PPC53	AA2FM. 12/61W - PPC53	AA2FM. 16/61W - VSC53	AA2FM. 16/61W - PSC53	AA2FM. 16/61W - PBC53	AA2FM. 23/61W - PSCX	AA2FM. 32/61W - PSDX	AA2FM. 32/61W - VSD52	AA2FM. 32/61W - PSD51	AA2FM. 32/61W - PSD52	AA2FM. 32/61W - PSD53	AA2FM. 32/61W - PSD54	AA2FM. 32/61W - PBD52	AA2FM. 32/61W - PBD53	AA2FM. 45/61W - PDX52	AA2FM. 45/61W - XSD51	AA2FM. 45/61W - PSD51	AA2FM. 45/61W - PSD52	AA2FM. 45/61W - PBD52	AA2FM. 56/61W - PSD52	AA2FM. 56/61W - PSDX	AA2FM. 56/61W - PSD51	AA2FM. 56/61W - PSD52	AA2FM. 56/61W - PBD52	AA2FM. 63/61W - PDX	AA2FM. 63/61W - PSDX	AA2FM. 63/61W - PSD51	AA2FM. 63/61W - PSD52	AA2FM. 63/61W - PBD51	AA2FM. 63/61W - PBD52						
(1)	Drive Shaft w. 1		270806	X	X																																		
	Bearings		270892			X	X																																
			270810					X																															
			270893						X	X	X	X	X	X	X																								
			270820													X	X																						
			270896															X																					
			270895																X	X	X																		
			270824																				X																
			270898																				X	X					X										
			270897																						X	X				X	X	X							
			270830																							X													
			270834																																X	X			
			270900																																				
			270899																																				
			270838																																				
			270716																																				
			270842																																				
			270901																																				
			270846																																				
			270850																																				
			270903																																				
			270854																																				
			270858																																				

Rotary Group



Pos.	Description	Qty.	Hydromatik Part No.	AA2FM. 80/61W - XXD51	AA2FM. 80/61W - XSD51	AA2FM. 80/61W - PSD51	AA2FM. 80/61W - PBD51	AA2FM. 90/61W - XXD51	AA2FM. 90/61W - XSD51	AA2FM. 90/61W - PSD51	AA2FM. 90/61W - PBD51	AA2FM. 107/61W - PSD51	AA2FM. 107/61W - PSD52	AA2FM. 107/61W - PSD527	AA2FM. 107/61W - PBD52	AA2FM. 125/61W - PSD51	AA2FM. 125/61W - PSD52	AA2FM. 125/61W - VSD52	AA2FM. 125/61W - PBD51	AA2FM. 125/61W - PBD52	AA2FM. 160/61W - PSD51	AA2FM. 160/61W - PSD52	AA2FM. 160/61W - PBD51	AA2FM. 160/61W - PBD52	AA2FM. 180/61W - PSD51	AA2FM. 180/61W - PSD52	AA2FM. 180/61W - PBD51	AA2FM. 180/61W - PBD52	
(1)	Drive Shaft w. Bearings	1	270806																										
			270892																										
			270810																										
			270893																										
			270820																										
			270896																										
			270895																										
			270824																										
			270898																										
			270897																										
			270830																										
			270834																										
			270900	X	X		X	X		X	X	X																	
			270899		X																								
			270838					X																					
			270716					X																					
			270842								X	X																	
			270901								X	X	X	X	X	X	X	X											
			270846											X															
			270850															X	X										
			270903																			X	X			X	X	X	
			270854																				X	X					
			270858																										X

Pos.	Descript.	Qty.	Type Code	Hydromatik Part No.	AA2FM. 10/61W - PPC53	AA2FM. 12/61W - PPC53	AA2FM. 16/61W - VSC53	AA2FM. 16/61W - PSC53	AA2FM. 16/61W - PBC53	AA2FM. 23/61W - PSCX	AA2FM. 32/61W - PSDX	AA2FM. 32/61W - VSD52	AA2FM. 32/61W - PSD51	AA2FM. 32/61W - PSD52	AA2FM. 32/61W - PSD53	AA2FM. 32/61W - PSD54	AA2FM. 32/61W - PBD52	AA2FM. 32/61W - PBD53	AA2FM. 45/61W - PXD52	AA2FM. 45/61W - XSD51	AA2FM. 45/61W - PSD51	AA2FM. 45/61W - PSD52	AA2FM. 45/61W - PBD52	AA2FM. 56/61W - PSD52	AA2FM. 56/61W - PSDX	AA2FM. 56/61W - PSD51	AA2FM. 56/61W - PSD52	AA2FM. 56/61W - PBD52	AA2FM. 63/61W - PDX	AA2FM. 63/61W - PSDX	AA2FM. 63/61W - PSD51	AA2FM. 63/61W - PSD52	AA2FM. 63/61W - PBD51	AA2FM. 63/61W - PBD52				
(2)	Rotary Group,	1	201.09.07.92	- 418918	X																																	
			201.10.07.92	- 418919		X																																
	Hydraulic Section		201.11.07.92	- 418920			X	X	X																													
			201.12.07.92	- 418921						X																												
			201.14.07.92	- 418923							X	X	X	X	X	X	X	X																				
			201.16.07.92	- 418333																																		
			201.16.06.92	- 418339																																		
			201.17.07.92	- 418924																																		
			201.18.07.92	- 418286																																		
			201.19.06.92	- 418335																																		
			201.19.07.92	- 418334																																		
			201.20.06.92	- 418718																																		
			201.20.07.92	- 418926																																		
			201.21.07.92	- 418336																																		
			201.22.07.92	- 418927																																		
			201.24.07.92	- 418929																																		
			201.25.06.92	- 420299																																		
			201.25.07.92	- 418977																																		
(3)	Front Cover	1		411024	X	X	X	X	X																													
				408967						X	X	X	X	X	X	X	X	X																				
				411512															X	X	X	X	X															
				408442																					X	X	X	X	X	X	X	X	X	X	X	X	X	X
				409976																																		
				409482																																		
				404384																																		

Pos.	Descript.	Qty.	Type Code	Hydromatik Part No.	AA2FM. 80/61W - XXD51	AA2FM. 80/61W - XSD51	AA2FM. 80/61W - PSD51	AA2FM. 80/61W - PBD51	AA2FM. 90/61W - XXD51	AA2FM. 90/61W - XSD51	AA2FM. 90/61W - PSD51	AA2FM. 90/61W - PBD51	AA2FM. 107/61W - PSD51	AA2FM. 107/61W - PSD52	AA2FM. 107/61W - PSD527	AA2FM. 107/61W - PBD52	AA2FM. 125/61W - PSD51	AA2FM. 125/61W - PSD52	AA2FM. 125/61W - VSD52	AA2FM. 125/61W - PBD51	AA2FM. 125/61W - PBD52	AA2FM. 160/61W - PSD51	AA2FM. 160/61W - PSD52	AA2FM. 160/61W - PBD51	AA2FM. 160/61W - PBD52	AA2FM. 160/61W - PBD51	AA2FM. 160/61W - PBD52	AA2FM. 180/61W - PSD52	AA2FM. 180/61W - PSD51	AA2FM. 180/61W - PSD52	AA2FM. 180/61W - PBD52						
(2)	Rotary Group, Hydraulic Section	1	201.09.07.92 - 418918																																		
			201.10.07.92 - 418919																																		
			201.11.07.92 - 418920																																		
			201.12.07.92 - 418921																																		
			201.14.07.92 - 418923																																		
			201.16.07.92 - 418333																																		
			201.16.06.92 - 418339																																		
			201.17.07.92 - 418924																																		
			201.18.07.92 - 418286																																		
			201.19.06.92 - 418335		X	X	X																														
			201.19.07.92 - 418334				X	X	X																												
			201.20.06.92 - 418718						X	X																											
			201.20.07.92 - 418926							X	X	X	X																								
			201.21.07.92 - 418336										X	X	X	X																					
			201.22.07.92 - 418927														X	X	X	X	X																
			201.24.07.92 - 418929																			X	X	X	X												
			201.25.06.92 - 420299																											X							
			201.25.07.92 - 418977																											X	X	X					
(3)	Front Cover	1	411024																																		
			408967																																		
			411512																																		
			408442																																		
			409976		X	X	X	X	X	X	X	X	X																								
			409482										X	X	X	X	X	X	X	X																	
			404384																			X	X	X	X	X	X	X	X	X	X	X	X	X	X		

Pos.	Description	Qty.	Hydromatik Part No.	AA2FM. 10/61W - PPC53	AA2FM. 12/61W - PPC53	AA2FM. 16/61W - VSC53	AA2FM. 16/61W - PSC53	AA2FM. 16/61W - PBC53	AA2FM. 23/61W - PSCX	AA2FM. 32/61W - PSDX	AA2FM. 32/61W - VSD52	AA2FM. 32/61W - PSD51	AA2FM. 32/61W - PSD52	AA2FM. 32/61W - PSD53	AA2FM. 32/61W - PSD54	AA2FM. 32/61W - PBD52	AA2FM. 32/61W - PBD53	AA2FM. 45/61W - PDX52	AA2FM. 45/61W - XSD51	AA2FM. 45/61W - PSD51	AA2FM. 45/61W - PSD52	AA2FM. 45/61W - PBD52	AA2FM. 56/61W - PSD52	AA2FM. 56/61W - PSDX	AA2FM. 56/61W - PSD51	AA2FM. 56/61W - PSD52	AA2FM. 56/61W - PBD52	AA2FM. 63/61W - PDX	AA2FM. 63/61W - PSDX	AA2FM. 63/61W - PSD51	AA2FM. 63/61W - PSD52	AA2FM. 63/61W - PBD51	AA2FM. 63/61W - PBD52					
(4)	Disc	1	411104	X	X	X	X	X																														
			410180						X	X	X	X	X	X	X	X	X	X	X	X	X	X	X	X	X	X	X	X	X	X	X	X	X	X	X	X	X	
			409895															X	X	X	X	X																
			409994																				X	X	X	X	X	X	X	X	X	X	X	X	X	X	X	
			408492																																			
			409612																																			
			409186																																			

(5)	Retaining Plate	1	418055	X	X	X	X	X																														
			418056						X	X	X	X	X	X	X	X	X	X	X																			
			417823															X	X	X	X	X																
			417825																				X	X	X	X	X	X	X	X	X	X	X	X	X	X	X	
			417702																																			
			417737																																			
			417691																																			

(6)	Retaining Ring	1	083411	X	X	X	X	X																															
			083415						X	X	X	X	X	X	X	X	X	X	X																				
			154609															X	X	X	X	X																	
			154528																				X	X	X	X	X	X	X	X	X	X	X	X	X	X	X	X	
			085128																																				
			152143																																				
			083421																																				

(7)	Shaft Seal Ring	1	157889	X	X	X	X	X																															
			156601					X	X	X	X	X	X	X	X	X	X	X																					
			152536															X	X	X	X	X																	
			152916																				X	X															
			154654																					X	X	X	X	X	X	X	X	X	X	X	X	X	X	X	
			153565																																				
			152504																																				
			152852																																				

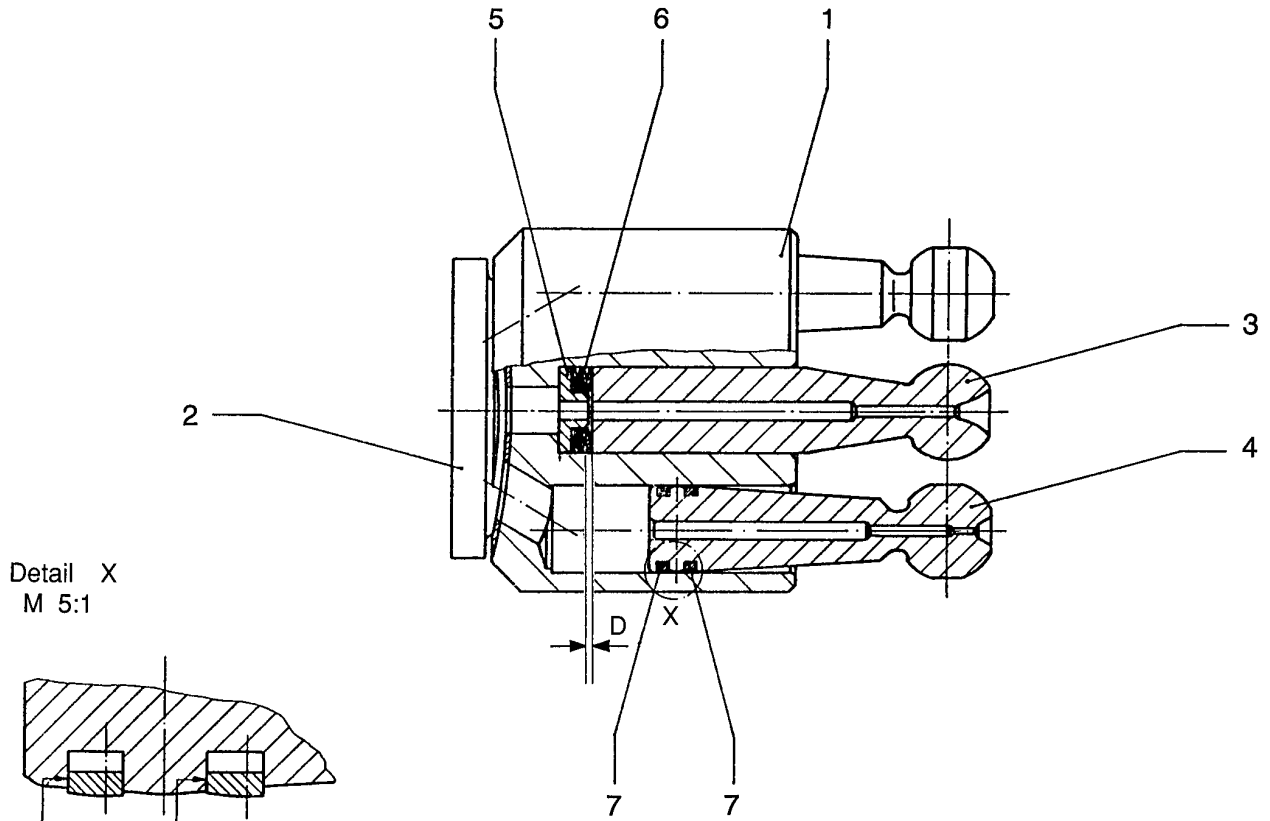
Pos.	Description	Qty.	Hydromatik Part No.	AA2FM. 80/61W - XXD51	AA2FM. 80/61W - XXD52	AA2FM. 80/61W - XSD51	AA2FM. 80/61W - PSD51	AA2FM. 80/61W - PSD52	AA2FM. 80/61W - PBD52	AA2FM. 90/61W - XXD51	AA2FM. 90/61W - XSD51	AA2FM. 90/61W - PSD51	AA2FM. 90/61W - PSD52	AA2FM. 90/61W - PBD51	AA2FM. 90/61W - PBD52	AA2FM. 107/61W - PSD51	AA2FM. 107/61W - PSD52	AA2FM. 107/61W - PSD527	AA2FM. 107/61W - PBD52	AA2FM. 125/61W - PSD51	AA2FM. 125/61W - PSD52	AA2FM. 125/61W - VSD52	AA2FM. 125/61W - PBD51	AA2FM. 125/61W - PBD52	AA2FM. 160/61W - PSD51	AA2FM. 160/61W - PSD52	AA2FM. 160/61W - PBD51	AA2FM. 160/61W - PBD52	AA2FM. 180/61W - PSD52	AA2FM. 180/61W - PSD51	AA2FM. 180/61W - PSD52	AA2FM. 180/61W - PBD52				
(4)	Disc	1	411104																																	
			410180																																	
			409895																																	
			409994																																	
			408492	X	X	X	X	X	X	X	X	X	X	X	X																					
			409612													X	X	X	X	X	X	X	X	X												
			409186																						X	X	X	X	X	X	X	X	X	X	X	X

(5)	Retaining Plate	1	418055																																	
			418056																																	
			417823																																	
			417825																																	
			417702	X	X	X	X	X	X	X	X	X	X	X	X																					
			417737													X	X	X	X	X	X	X	X	X												
			417691																					X	X	X	X	X	X	X	X	X	X	X	X	

(6)	Retaining Ring	1	083411																																	
			083415																																	
			154609																																	
			154528																																	
			085128	X	X	X	X	X	X	X	X	X	X	X	X																					
			152143													X	X	X	X	X	X	X	X	X												
			083421																					X	X	X	X	X	X	X	X	X	X	X	X	

(7)	Shaft Seal Ring	1	157889																																	
			156601																																	
			152536																																	
			152916																																	
			154654																																	
			153565	X	X	X	X	X	X	X	X	X	X	X	X																					
			152504													X	X	X	X	X	X	X	X	X												
			152852																					X	X	X	X	X	X	X	X	X	X	X	X	

Pos.	Description	Qty.	Hydromatik Part No.	AA2FM. 80/61W - XXD51	AA2FM. 80/61W - XXD52	AA2FM. 80/61W - XSD51	AA2FM. 80/61W - PSD51	AA2FM. 80/61W - PSD52	AA2FM. 80/61W - PBD52	AA2FM. 90/61W - XXD51	AA2FM. 90/61W - XSD51	AA2FM. 90/61W - PSD51	AA2FM. 90/61W - PSD52	AA2FM. 90/61W - PBD51	AA2FM. 90/61W - PBD52	AA2FM. 107/61W - PSD51	AA2FM. 107/61W - PSD52	AA2FM. 107/61W - PSD527	AA2FM. 107/61W - PBD52	AA2FM. 125/61W - PSD51	AA2FM. 125/61W - PSD52	AA2FM. 125/61W - VSD52	AA2FM. 125/61W - PBD51	AA2FM. 125/61W - PBD52	AA2FM. 160/61W - PSD51	AA2FM. 160/61W - PSD52	AA2FM. 160/61W - PBD51	AA2FM. 160/61W - PBD52	AA2FM. 180/61W - PSD52	AA2FM. 180/61W - PSD51	AA2FM. 180/61W - PSD52	AA2FM. 180/61W - PBD52				
(8)	O-Ring	1	086630																																	
			083785																																	
			086626																																	
			085567																																	
			083824																																	
			086638																																	
			086949																																	
			154986																																	
			083827	X	X	X	X	X		X	X	X	X																							
			086008					X					X	X																						
			152647											X	X	X				X	X															
			086636															X				X	X	X												
			085366																						X	X				X	X	X				
			086635																							X	X		X	X						X
(9)	Shim	2	156378																																	
			084587																																	
			156447																																	
			152831																																	
			156275	X	X	X	X	X	X	X	X	X	X	X																						
			154359													X	X	X	X	X	X	X	X	X												
			154260																						X	X	X	X	X	X	X	X	X	X	X	X
(10)	Shim	1	156379																																	
			084586																																	
			156448																																	
			084592																																	
			156276	X	X	X	X	X	X	X	X	X	X	X																						
			154360													X	X	X	X	X	X	X	X	X												
			087601																						X	X	X	X	X	X	X	X	X	X	X	X
(11)	Slot Head Screw	7	153604																																	
			153616																																	
			156201																																	
			153617																																	
			154803	X	X	X	X	X	X	X	X	X	X	X																						
			153648													X	X	X	X	X	X	X	X													
			156120																						X	X	X	X	X	X	X	X	X	X	X	X



Installation as per markings on the piston ring

**Fixed Displacement Motor
Series 61
Rotary Group
Hydraulic Section**

Pos.	Description	Qty.	Hydromatik Part No.	AA2FM. 10/61W - PPC53	AA2FM. 12/61W - PPC53	AA2FM. 16/61W - VSC53	AA2FM. 16/61W - PSC53	AA2FM. 16/61W - PBC53	AA2FM. 23/61W - PSCX	AA2FM. 32/61W - PSDX	AA2FM. 32/61W - VSD52	AA2FM. 32/61W - PSD51	AA2FM. 32/61W - PSD52	AA2FM. 32/61W - PSD53	AA2FM. 32/61W - PSD54	AA2FM. 32/61W - PBD52	AA2FM. 32/61W - PBD53	AA2FM. 45/61W - PXD52	AA2FM. 45/61W - XSD51	AA2FM. 45/61W - PSD51	AA2FM. 45/61W - PSD52	AA2FM. 45/61W - PBD52	AA2FM. 56/61W - PSD52	AA2FM. 56/61W - PSDX	AA2FM. 56/61W - PSD51	AA2FM. 56/61W - PSD52	AA2FM. 56/61W - PBD52	AA2FM. 63/61W - PDX	AA2FM. 63/61W - PSDX	AA2FM. 63/61W - PSD51	AA2FM. 63/61W - PSD52	AA2FM. 63/61W - PBD51	AA2FM. 63/61W - PBD52				
(1)	Cylinder	1	421298	X																																	
	Barrel		421299		X																																
			421300			X	X	X																													
			421301						X																												
			421303							X	X	X	X	X	X	X	X																				
			421304															X		X	X	X															
			409878																X																		
			421305																				X	X	X	X	X										
			421306																										X	X	X	X	X	X	X	X	
			421307																																		
			419996																																		
			421308																																		
			421309																																		
			421310																																		
			421312																																		
			421313																																		

Pos.	Description	Qty.	Hydromatik Part No.	AA2FM. 80/61W - XXD51	AA2FM. 80/61W - XXD52	AA2FM. 80/61W - XSD51	AA2FM. 80/61W - PSD51	AA2FM. 80/61W - PSD52	AA2FM. 80/61W - PBD52	AA2FM. 90/61W - XXD51	AA2FM. 90/61W - XSD51	AA2FM. 90/61W - PSD51	AA2FM. 90/61W - PSD52	AA2FM. 90/61W - PBD51	AA2FM. 90/61W - PBD52	AA2FM. 107/61W - PSD51	AA2FM. 107/61W - PSD52	AA2FM. 107/61W - PSD527	AA2FM. 107/61W - PBD52	AA2FM. 125/61W - PSD51	AA2FM. 125/61W - PSD52	AA2FM. 125/61W - VSD52	AA2FM. 125/61W - PBD51	AA2FM. 125/61W - PBD52	AA2FM. 160/61W - PSD51	AA2FM. 160/61W - PSD52	AA2FM. 160/61W - PBD51	AA2FM. 160/61W - PBD52	AA2FM. 180/61W - PSD52	AA2FM. 180/61W - PSD51	AA2FM. 180/61W - PSD52	AA2FM. 180/61W - PBD52				
				(2)	Control Plate	1	425902																													
			426090																																	
			411105																																	
			425895																																	
			408925																																	
			409874																																	
			409735																																	
			409990																																	
			409712	X	X	X	X	X	X																											
			408460							X	X	X	X	X	X																					
			409683													X	X	X	X																	
			409545																	X	X	X	X	X												
			409211																						X	X	X	X								
			406166																											X	X	X	X	X	X	X
(3)	Central Pin	1	411107																																	
			408923																																	
			409879																																	
			409992																																	
			408461	X	X	X	X	X	X	X	X	X	X	X	X																					
			409486													X	X	X	X	X	X	X	X	X												
			409133																						X	X	X	X	X	X	X	X	X	X	X	X
(4)	Piston	7	430106																																	
			430107																																	
			430108																																	
			426818																																	
			426814																																	
			426811																																	
			426817																																	
			426813																																	
			426812	X	X	X	X	X	X																											
			426816							X	X	X	X	X	X																					
			426823													X	X	X	X																	
			426822																		X	X	X	X	X											
			426820																							X	X	X	X							
			426819																												X	X	X	X	X	X

Pos. Description Qty. Hydromatik Part No.

(5) Spring Collar* 1 (per unit)
(see note following)

Pos.	Description	Qty.	Hydromatik Part No.	AA2FM. 10/61W - PPC53	AA2FM. 12/61W - PPC53	AA2FM. 16/61W - VSC53	AA2FM. 16/61W - PSC53	AA2FM. 16/61W - PBC53	AA2FM. 23/61W - PSCX	AA2FM. 32/61W - PSDX	AA2FM. 32/61W - VSD52	AA2FM. 32/61W - PSD51	AA2FM. 32/61W - PSD52	AA2FM. 32/61W - PSD53	AA2FM. 32/61W - PSD54	AA2FM. 32/61W - PBD52	AA2FM. 32/61W - PBD53	AA2FM. 45/61W - PDX52	AA2FM. 45/61W - XSD51	AA2FM. 45/61W - PSD51	AA2FM. 45/61W - PSD52	AA2FM. 45/61W - PBD52	AA2FM. 56/61W - PSD52	AA2FM. 56/61W - PSDX	AA2FM. 56/61W - PSD51	AA2FM. 56/61W - PSD52	AA2FM. 56/61W - PBD52	AA2FM. 63/61W - PDX	AA2FM. 63/61W - PSDX	AA2FM. 63/61W - PSD51	AA2FM. 63/61W - PSD52	AA2FM. 63/61W - PBD51	AA2FM. 63/61W - PBD52							
	(4.2 mm)		418785	X	X	X	X	X																																
	(4.3 mm)		418786	X	X	X	X	X																																
	(4.4 mm)		418787	X	X	X	X	X																																
	(4.5 mm)		418788	X	X	X	X	X																																
	(4.6 mm)		432793	X	X	X	X	X																																
	(6.3 mm)		418789						X	X	X	X	X	X	X	X	X	X																						
	(6.4 mm)		418790						X	X	X	X	X	X	X	X	X	X																						
	(6.5 mm)		418791						X	X	X	X	X	X	X	X	X	X																						
	(6.6 mm)		418792						X	X	X	X	X	X	X	X	X	X																						
	(6.15 mm)		416972															X	X	X	X	X																		
	(6.25 mm)		416973															X	X	X	X	X																		
	(6.35 mm)		416974															X	X	X	X	X																		
	(6.45 mm)		416975															X	X	X	X	X																		
	(7.05 mm)		417558																					X	X	X	X	X	X	X	X	X	X	X	X	X	X	X	X	
	(7.15 mm)		417559																					X	X	X	X	X	X	X	X	X	X	X	X	X	X	X	X	
	(7.25 mm)		417560																					X	X	X	X	X	X	X	X	X	X	X	X	X	X	X	X	
	(7.35 mm)		417561																					X	X	X	X	X	X	X	X	X	X	X	X	X	X	X	X	
	(9.55 mm)		416976																																					
	(9.65 mm)		416977																																					
	(9.75 mm)		416978																																					
	(9.85 mm)		416979																																					
	(9.6 mm)		416980																																					
	(9.7 mm)		416981																																					
	(9.8 mm)		416982																																					
	(9.9 mm)		416983																																					
	(9.95 mm)		417750																																					
	(10.05 mm)		417751																																					
	(10.15 mm)		417752																																					
	(10.25 mm)		417753																																					

Notes:

The Rexroth Corporation

Industrial Hydraulics Division, P.O. Box 2407, 2315 City Line Road, Bethlehem, PA 18017-2131, Tel. 215-694-8300, Telefax 215-694-8467
Mobile Hydraulics Division, P.O. Box 394, 1700 Old Mansfield Road, Wooster, OH 44691-0394, Tel. 216-263-3300, Telefax 216-263-3300
Pneumatics Division, P.O. Box 13597, 1953 Mercer Road, Lexington, KY 40511-1021, Tel. 606-254-8031, Telefax 606-254-4188
Indramat Division, 255 Mittel Drive, Wood Dale, IL 60191, Tel. 708-860-1010, Telefax 708-530-4631