

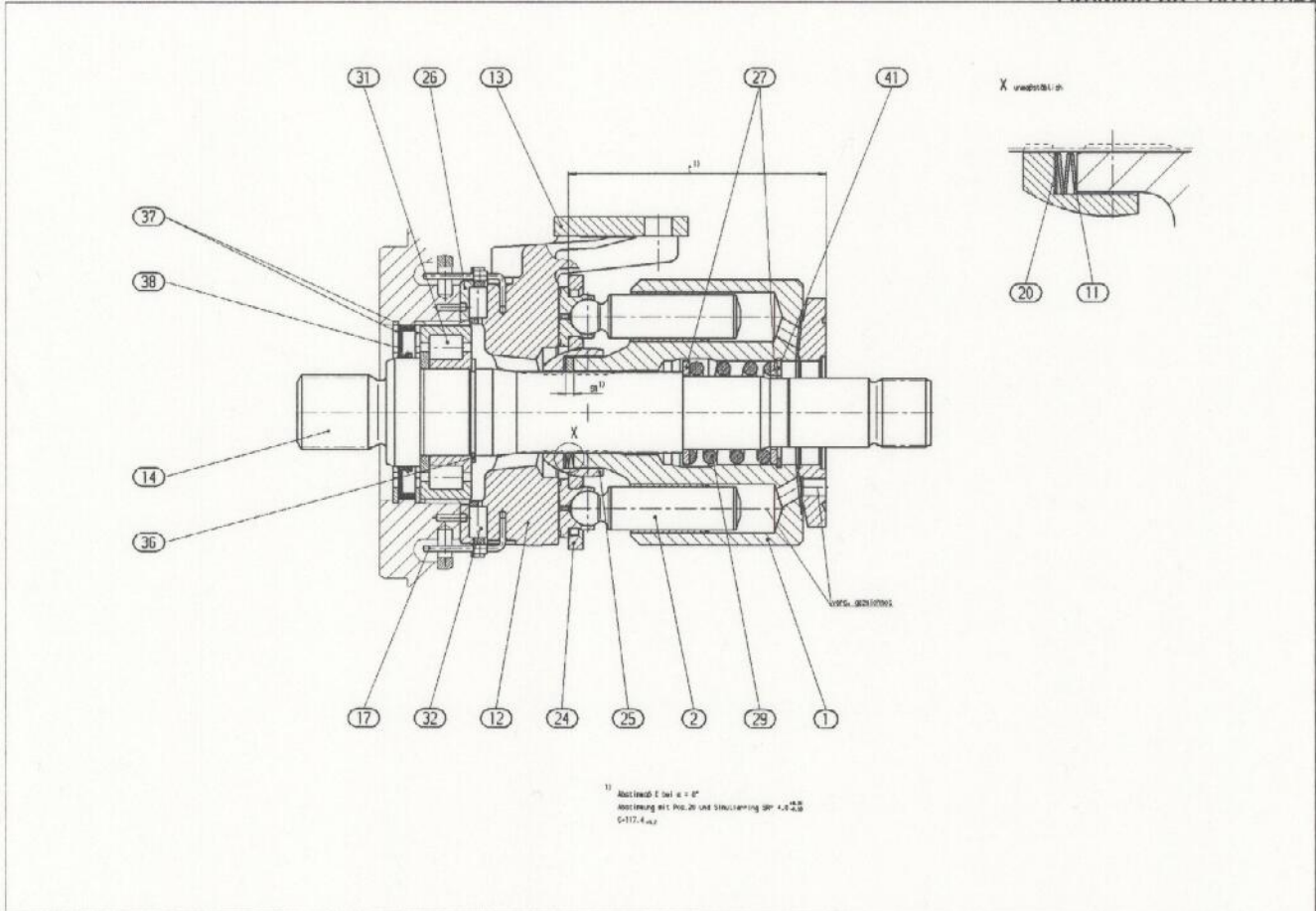
AA 4VG90  
 HD1D1/32L-  
 NSF52F02-  
 1D- $\Phi$

Spare parts list  
 Order No.: 09607884  
 Denomination: ROTARY GROUP

Brueninghaus Hydromatik  
 Elchingen Plant

Type: 215.20.23.14

Drawing no.: 00702069



L = Assembly group    D = Sealing element

-> In order to assure a correct processing of spare parts orders,  
 the order must have the following information:  
 Type, fabrication no., denomination and order no.  
 If there is no purchase order no. the complete denomination is enough.

Page: 3

Following page: 4

Date: 13.11.2001

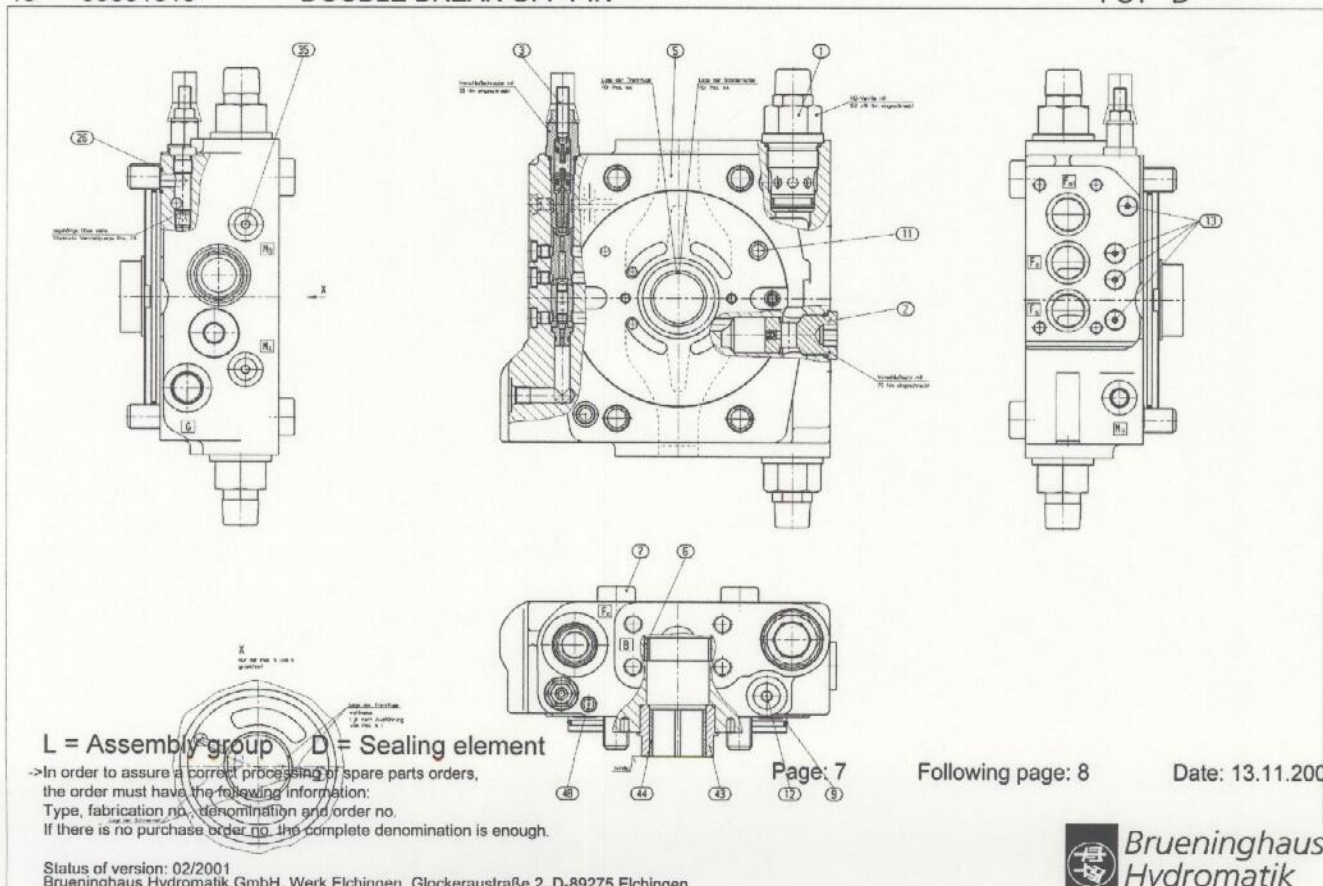
Spare parts list  
Order No.: 09608822  
Denomination: PORT PLATE WITH VALVES

Brueninghaus Hydromatik  
Elchingen Plant

Type: 231.20.32.10

Drawing no.: 09705411

Item	Order No.	Denomination	Quantity
1	02600466	MHDBN22K2-20/420VHP-054 #150NM *Z*	2 ST L
2	09607138	LOCKING SET	1 ST L
3	09437363	PRESSURE OVERRIDE VALVE	1 ST L
5	09651103	PORT PLATE	1 ST
6	09449136	BEARING BUSHING	1 ST
7	09083141	SOCKET-HEAD SCREW	4 ST
9	09830300	O-RING	1 ST D
11	09831320	DOUBLE BREAK-OFF PIN	1 ST D
12	09151692	LOCKING SCREW	1 ST D
13	09154024	LOCKING SCREW	4 ST D
26	09086333	O-RING	2 ST D
35	09154478	LOCKING SCREW	2 ST D
43	09440537	BUSH	1 ST
44	09435790	BEARING BUSHING	1 ST
48	09831319	DOUBLE BREAK-OFF PIN	1 ST D



Spare parts list  
Order No.: 09606809  
Denomination: INTERNAL GEAR PUMP ASSEMBLY

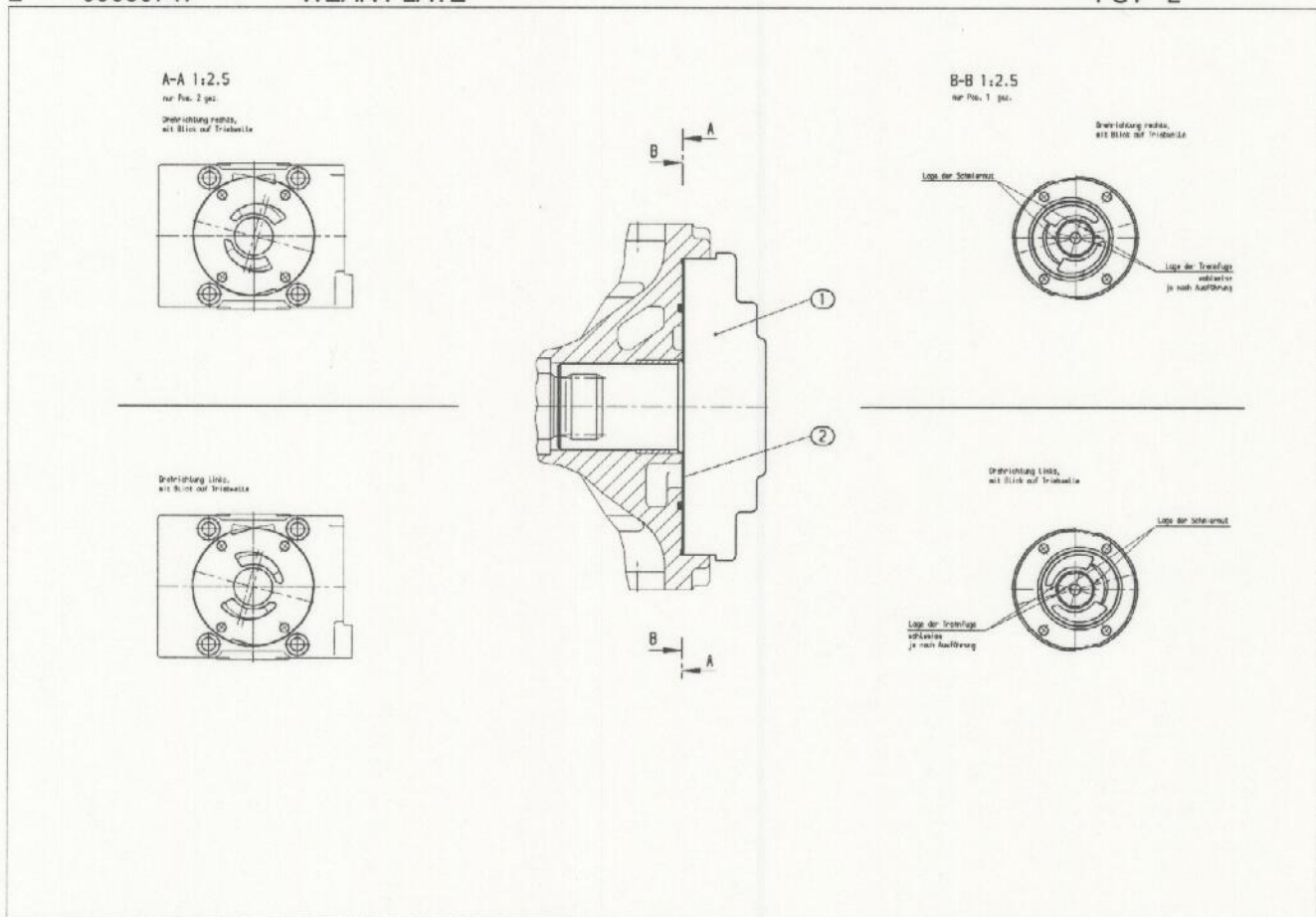
Brueninghaus Hydromatik  
Elchingen Plant

Type: 296.20.72.18

Drawing no.: 09723599

Item	Order No.	Denomination
1	09438467	INTERNAL GEAR PUMP ASSEMBLY
2	09650747	WEAR PLATE

Quantity
1 ST L
1 ST L



L = Assembly group    D = Sealing element

->In order to assure a correct processing of spare parts orders, the order must have the following information:  
Type, fabrication no., denomination and order no.  
If there is no purchase order no. the complete denomination is enough.

Page: 13

Following page: 14

Date: 13.11.2001

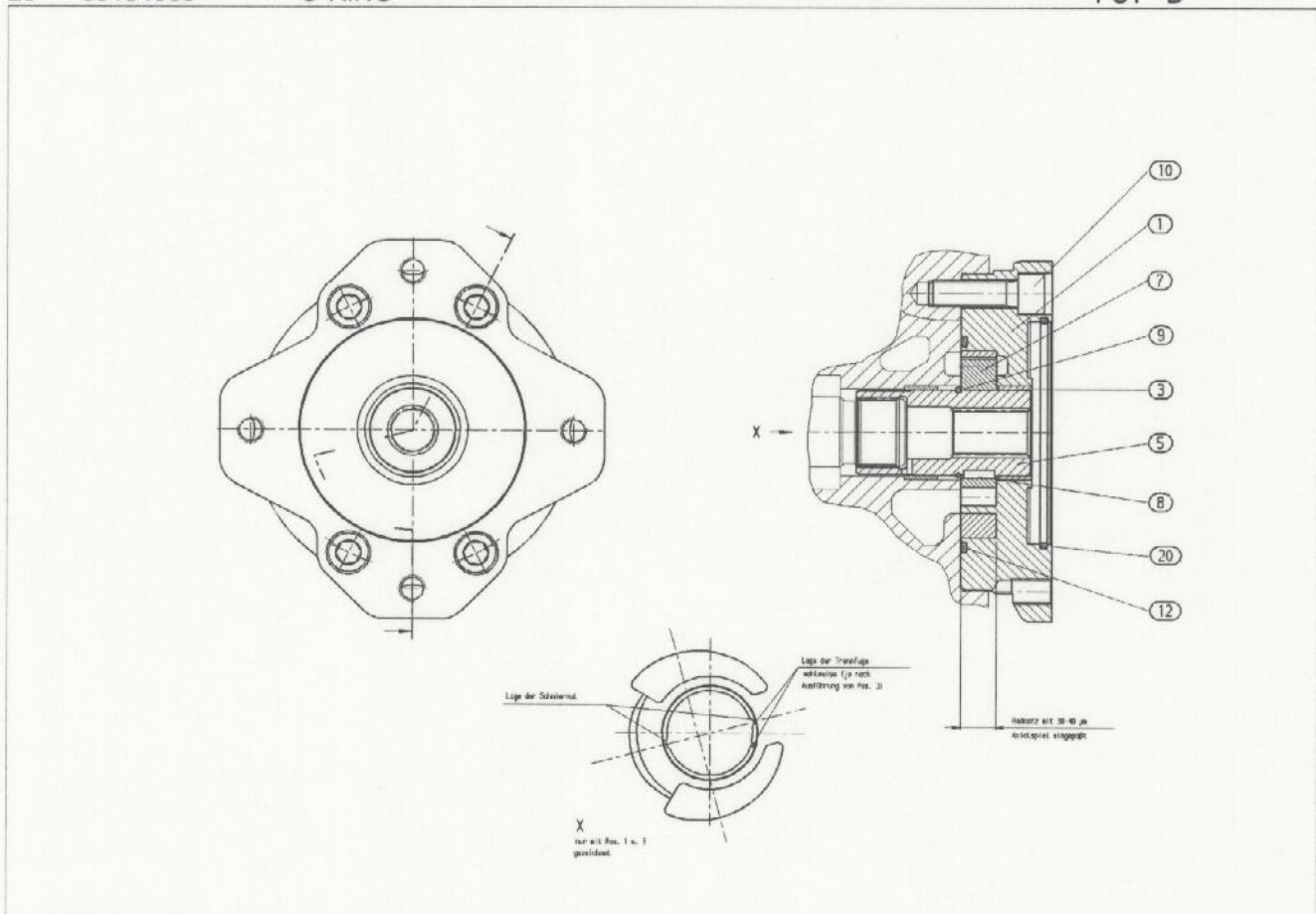
Spare parts list  
Order No.: 09438467  
Denomination: INTERNAL GEAR PUMP ASSEMBLY

Brueninghaus Hydromatik  
Elchingen Plant

Type: 296.20.52.18

Drawing no.: 09723620

Item	Order No.	Denomination	Quantity
1	09440117	INTERMEDIATE FLANGE	1 ST
3	09449136	BEARING BUSHING	1 ST
5	02013160	THROUGH-DRIVE SHAFT	1 ST
7	02006258	WHEEL SET	1 ST
8	02025649	SHAFT KEY	1 ST
9	09156930	SNAP RING	1 ST
10	09083091	SOCKET-HEAD SCREW	4 ST
12	09083825	O-RING	1 ST D
20	09154589	O-RING	1 ST D



L = Assembly group D = Sealing element

->In order to assure a correct processing of spare parts orders, the order must have the following information:  
Type, fabrication no., denomination and order no.  
If there is no purchase order no. the complete denomination is enough.

Page: 14

Following page: 15

Date: 13.11.2001