

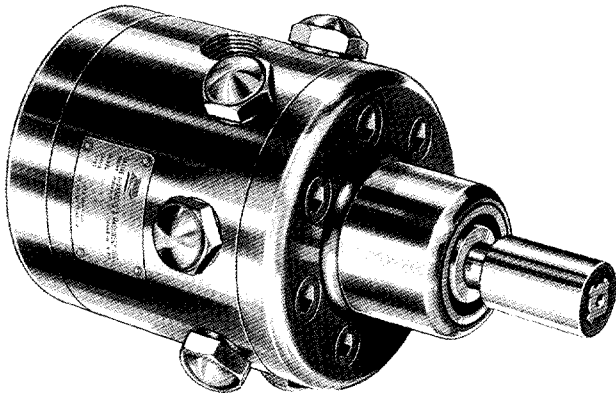
# RACINE®

## BOSCH Group

# REPAIR PARTS

## RADIAL PISTON PUMP

### MODEL 80

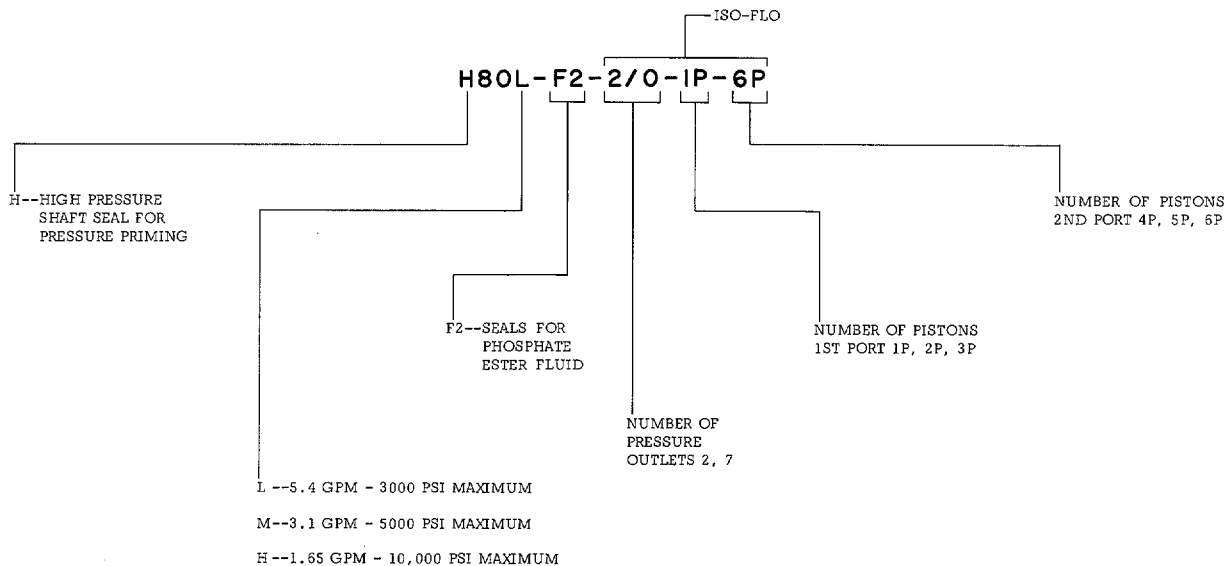


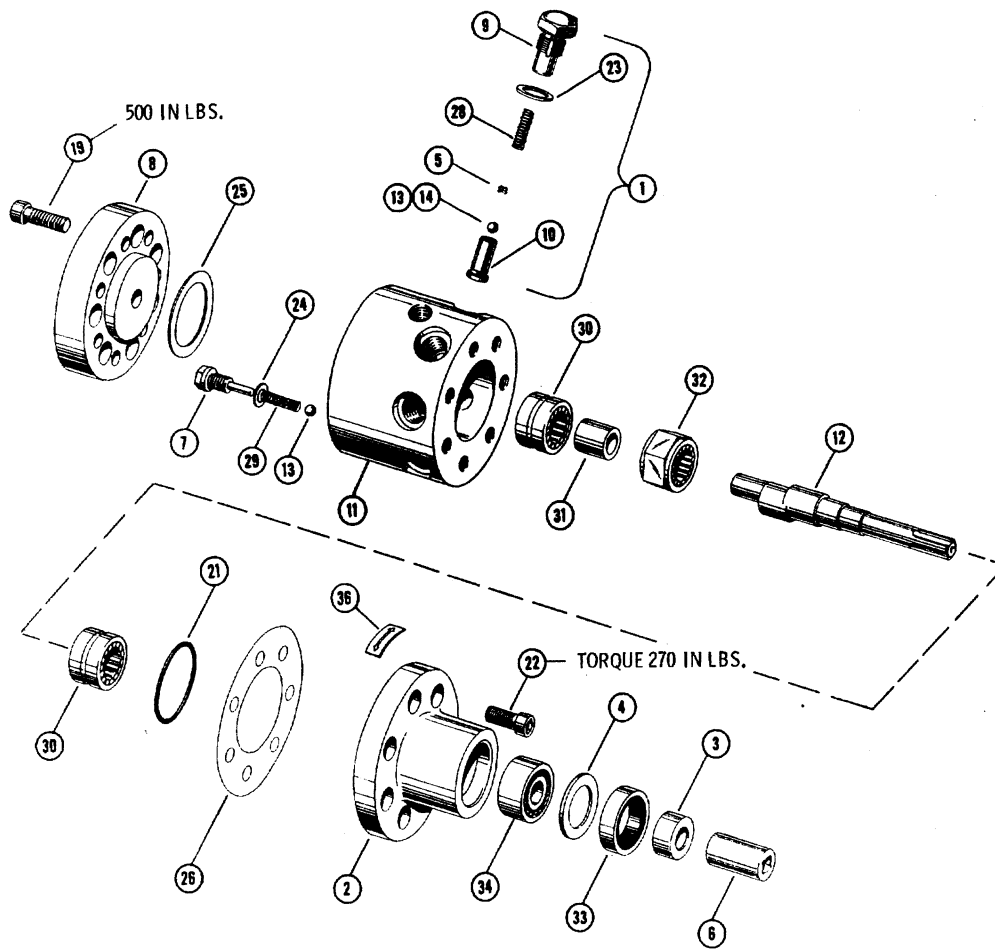
WHEN ORDERING PARTS, FURNISH:

1. COMPLETE CODE NUMBER
2. PARTS REQUIRED
3. SHIPPING INSTRUCTIONS

WRITE FACTORY FOR NEAREST AUTHORIZED PARTS AND SERVICE CENTER.

## PUMP CODING





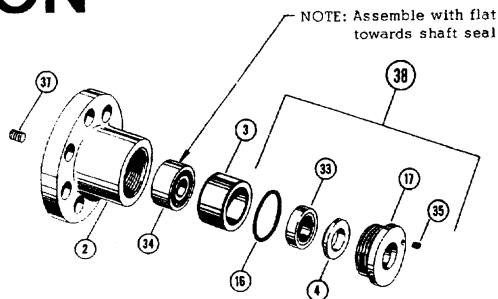
| Ref. No. | Part No. | Description  | Qty. |
|----------|----------|--|------|
| 1        | 7502C0   | Piston Assembly - 80L & 80M  | 7    |
| 1        | 7502C1   | Piston Assembly - 80H  | 7    |
| 2        | 250031   | Motor End Cover  | 1    |
| 3        | 350031   | Oil Seal Shaft Collar  | 1    |
| 4        | 307634   | Bearing Retainer   | 1    |
| 5        | 350029   | Inlet Check Ball Stop - 80L & 80M                                  | 7    |
| 5        | 350030   | Inlet Check Ball Stop - 80H  | 7    |
| 6        | 350028   | Splined Coupling   | 1    |
| 7        | 350304   | Outlet Check Ball Stop   | 7    |
| 8        | 350166   | Hydro End Cover  | 1    |
| 9        | 777194   | Sleeve & Piston Assembly - 80L & 80M<br>(sold only as an assembly) | 7    |
| 10       | 777195   | Sleeve & Piston Assembly - 80H<br>(sold only as an assembly)       | 7    |
| 11       | 750017   | Body & Inlet Cage Assembly   | 1    |
| 12       | 350171   | Eccentric Shaft - 80M & 80H  | 1    |
| 12       | 350170   | Eccentric Shaft - 80L  | 1    |
| 13       | 401067   | Steel Ball - 80L & 80M   | 14   |
| 13       | 401067   | Steel Ball - 80H   | 7    |

| Ref. No. | Part No. | Description                       | Qty. |
|----------|----------|-----------------------------------|------|
| 14       | 401066   | Steel Ball - 80H                  | 7    |
| 19       | 403345   | Screw 1/2-20 x 1-1/4              | 7    |
| 21       | 406130   | "O" Ring (Viton) 3/32 x 2-1/2 OD  | 1    |
| 22       | 490026   | Screw 1/2-20 x 1"                 | 7    |
| 23       | 490076   | Copper Gasket                     | 7    |
| 24       | 490077   | Copper Gasket                     | 7    |
| 25       | 490078   | Paper Gasket                      | 1    |
| 26       | 490996   | Paper Gasket                      | 1    |
| 28       | 490172   | Spring - Cam Follower - 80L & 80M | 7    |
| 28       | 490173   | Spring - Cam Follower - 80H       | 7    |
| 29       | 490174   | Spring - Outlet Check             | 7    |
| 30       | 490175   | Roller Bearing                    | 2    |
| 31       | 490177   | Inner Race                        | 1    |
| 32       | 490287   | Eccentric Roller Bearing          | 1    |
| 33*      | 407291   | Seal (for Phosphate Ester Fluids) | 1    |
| 34       | 490176   | Ball Bearing                      | 1    |
| 36       | 405992   | Rotation Plate                    | 1    |

\*When using Viton Seal #407291, also use Bearing Retainer # 307634

## OPTION

## HIGH PRESSURE SEAL



| Ref. No. | Part No. | Description                       | Qty. |
|----------|----------|-----------------------------------|------|
| 2        | 250033   | Motor End Cover                   | 1    |
| 3        | 350303   | Oil Seal Shaft Collar             | 1    |
| 4        | 308571   | Seal Washer                       | 1    |
| 16       | 406699   | "O" Ring (Viton)                  | 1    |
| 17       | 350191   | H.P. Gland Cap                    | 1    |
| 33       | 406720   | Seal (for Phosphate Ester Fluids) | 1    |
| 34       | 490207   | Ball Bearing                      | 1    |
| 35       | 490045   | Set Screw                         | 1    |
| 37       | 400875   | Set Screw                         | 1    |
| 38       | 750032   | Buna Assembly Seal                | 1    |

## RACINE FLUID POWER, INC.

7505 DURAND AVE., RACINE, WISCONSIN 53406 U.S.A.  
 TELEPHONE (414) 554-7100, TELEX 71-191902, FAX (414) 554-7117  
 A subsidiary of Robert Bosch Corporation

**RACINE**  
 BOSCH Group

9 535 233 232  
 ATUS RSB 002/6 (10.90)